

CONFIDENTIAL AND PROPRIETARY INFORMATION

This document is the property of Intertec Data Systems Corporation, Columbia, South Carolina, and contains confidential and trade secret information. This information may not be transferred from the custody or control of Intertec except as authorized by Intertec and then only by way of loan for limited purposes. It must not be reproduced in whole or in part and must be returned to Intertec upon request and in all events upon completion of the purpose of the loan.

Neither this document nor the information it contains may be used or disclosed to persons not having a need for such use or disclosure consistent with the purpose of the loan without the prior express written consent of Intertec.

Copyright 1980 by Intertec Data Systems Corporation, Columbia, South Carolina 29210. All Rights Reserved Worldwide.

QTY	CODE	PART OR IDENTIFYING NO.	NOMENCLATURE OR DESCRIPTION	PARTS LIST

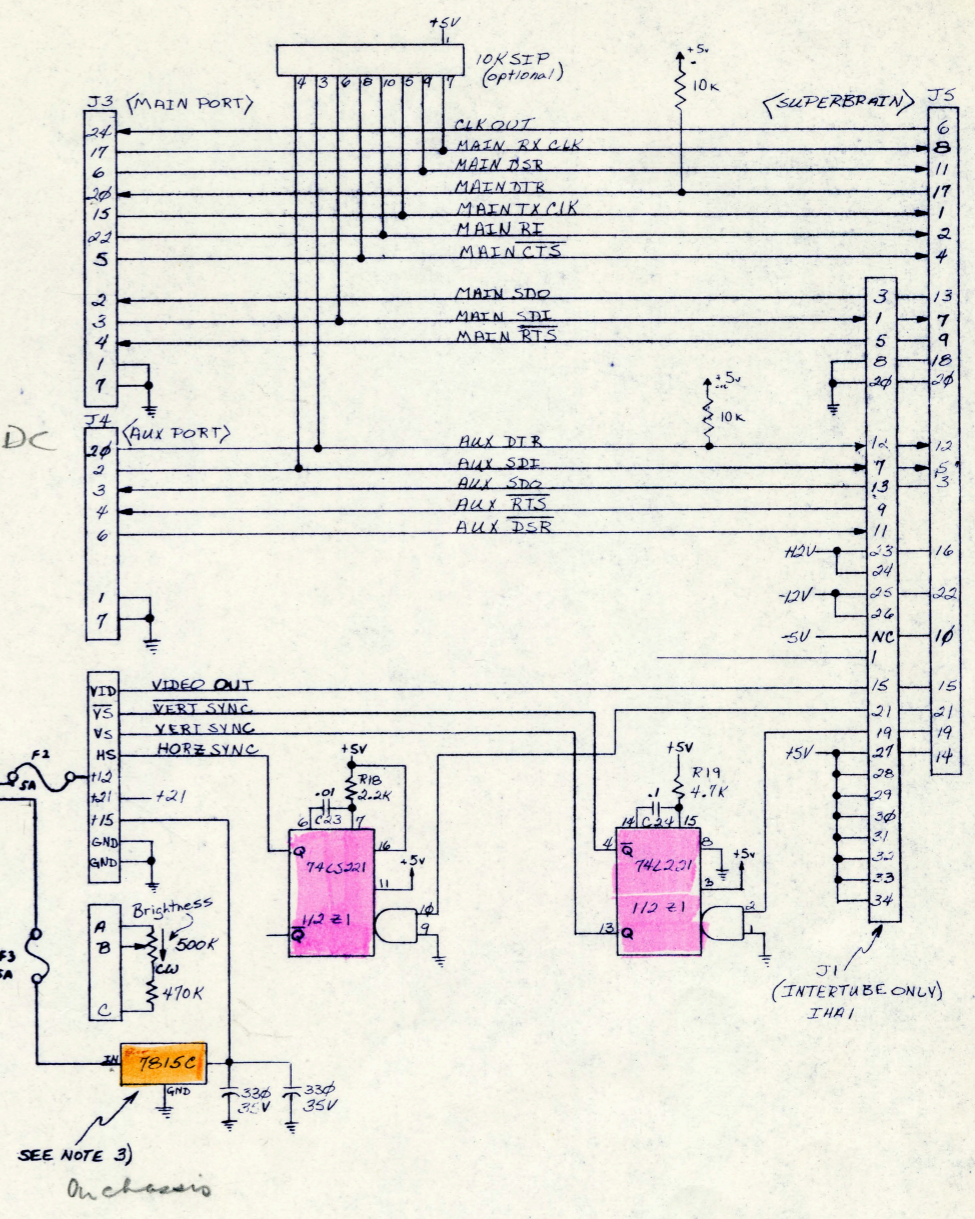
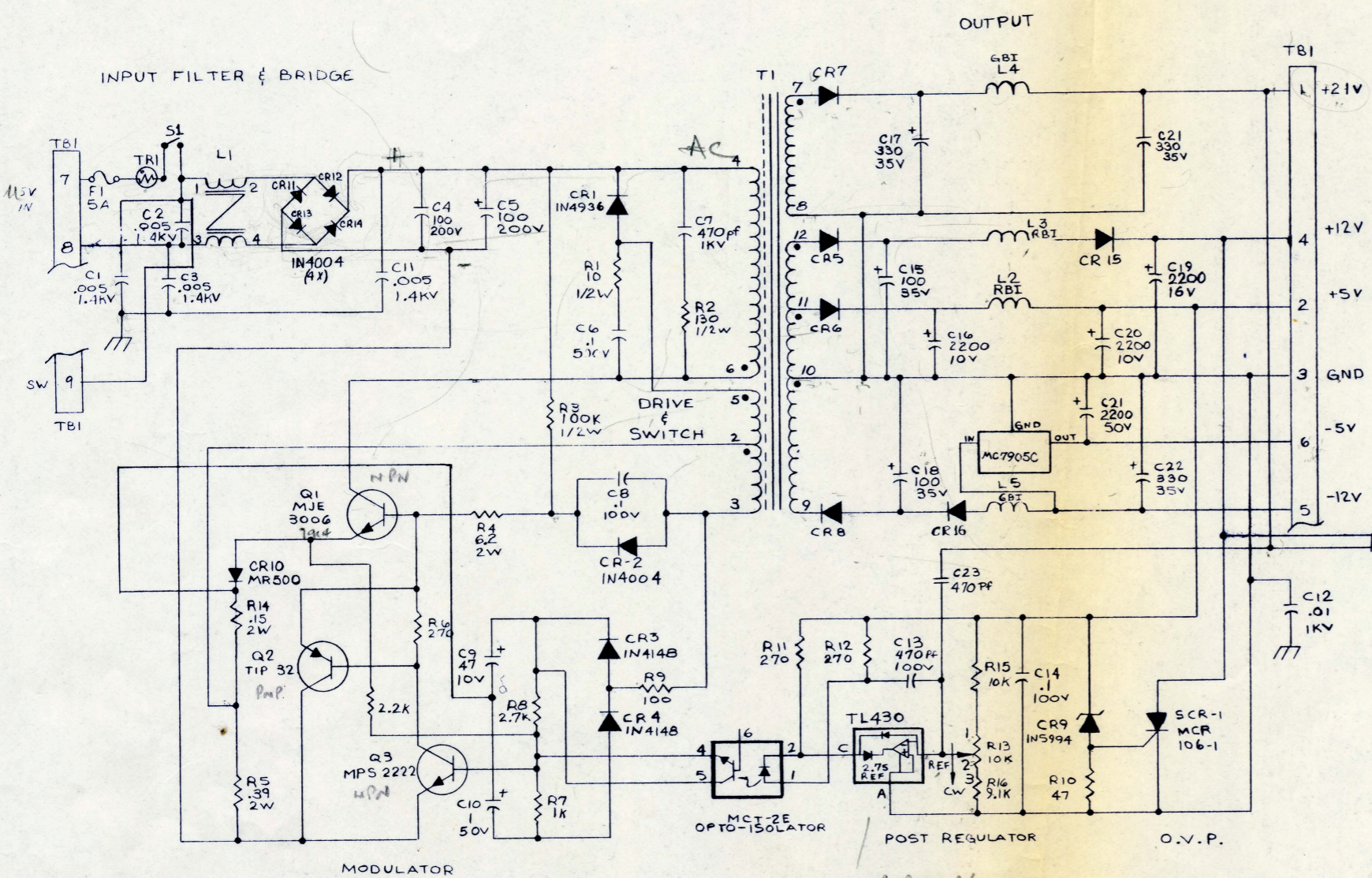
UNLESS OTHERWISE SPECIFIED
DIMENSIONS ARE IN INCHES
TOLERANCES ARE: FRACTIONS DECIMALS ANGLES
MATERIAL XXX - - -
FINISH
NEXT ASSY USED ON
APPLICATION

Intertec Data Systems
SUPERBRAIN
KEYBOARD/CPU MODULE
ELECTRICAL SCHEMATIC
FOR REVISION 1 BOARD ONLY

CONTRACT NO.
APPROVALS DATE
CHECKED
DATE
DATE
DATE
DATE
DATE
DATE

SIZE CODE IDENT NO. DRAWING NO.
E
SCALE
SHEET 1 OF 2

REVISIONS				
ZONE	LTR	DESCRIPTION	DATE	APPROVED



- NOTES:
- 1) CAPACITORS ARE IN μF
 - 2) RESISTORS ARE IN OHMS
 - 3) MOUNTED ON CRT FRAME

CONFIDENTIAL AND PROPRIETARY INFORMATION
 This document is the property of Intertec Data Systems Corporation, Columbia, South Carolina, and contains confidential and trade secret information. This information may not be transferred from the custody or control of Intertec except as authorized by Intertec and then only by way of loan for limited purposes. It must not be reproduced in whole or in part and must be returned to Intertec upon request and in all events upon completion of the purpose of the loan.

Neither this document nor the information it contains may be used or disclosed to persons not having a need for such use or disclosure consistent with the purpose of the loan without the prior express written consent of Intertec.

Copyright 1980 by Intertec Data Systems,
 Columbia, South Carolina 29210.
 All Rights Reserved Worldwide.

		UNLESS OTHERWISE SPECIFIED DIMENSIONS ARE IN INCHES TOLERANCES ARE: FRACTIONS DECIMALS ANGLES $\pm .XX \pm \pm$ $.XXX \pm$	CONTRACT NO.
		MATERIAL	APPROVALS
		FINISH	DATE
			DRAWN
			CHECKED
NEXT ASSY	USED ON		
APPLICATION	DO NOT SCALE DRAWING		

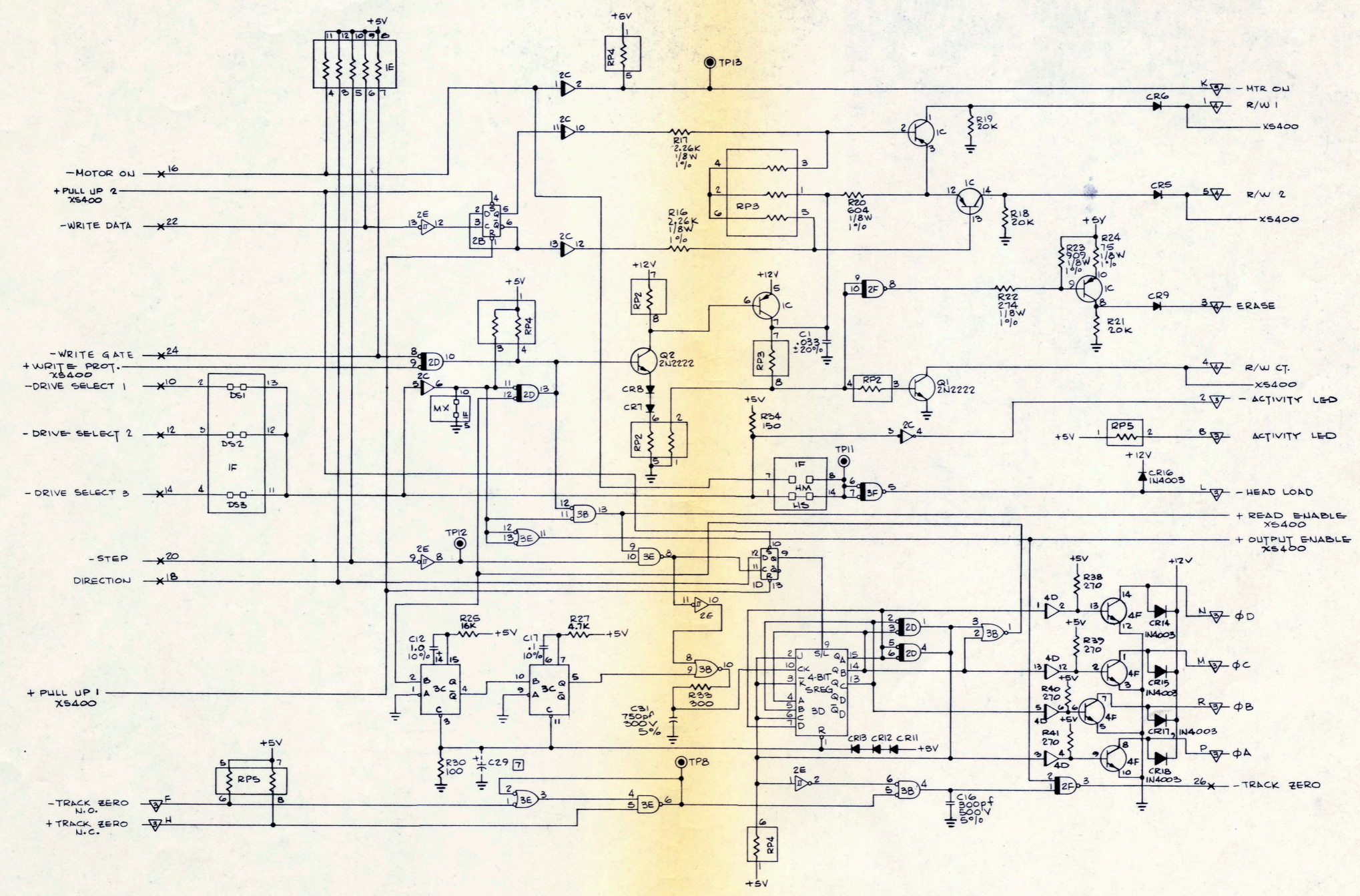
Intertec Data Systems

**POWER, VIDEO, I/O BOARD
#5002020**

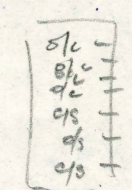
SIZE	CODE IDENT NO.	DRAWING NO.
B		
SCALE		SHEET OF

4 3 2 1

REVISIONS				
ZONE	LTR	DESCRIPTION	DATE	APPROVED



'B' + 80's



		UNLESS OTHERWISE SPECIFIED DIMENSIONS ARE IN INCHES TOLERANCES ARE: FRACTIONS DECIMALS ANGLES ± .XX ± ± .XXX ±	CONTRACT NO.
		MATERIAL	APPROVALS DATE
		FINISH	DRAWN
			CHECKED
NEXT ASSY	USED ON		
APPLICATION		DO NOT SCALE DRAWING	

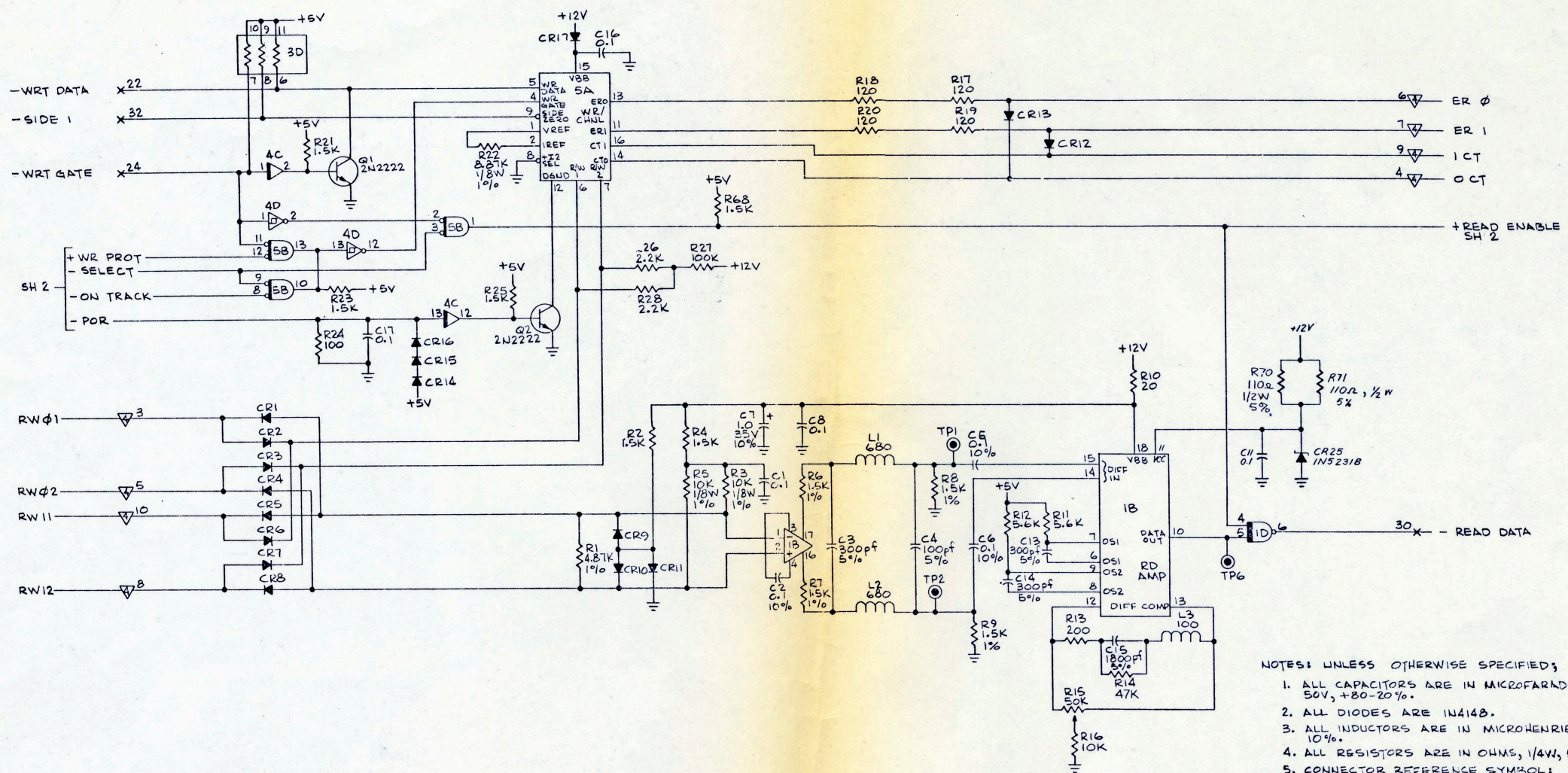
Intertec Data Systems

Super Brain SA-400 Disk Drive

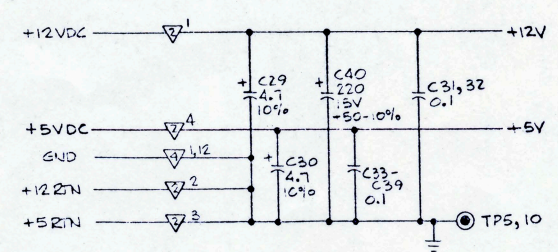
SIZE	CODE IDENT NO.	DRAWING NO.
B		
SCALE	Issued: March, 1980	SHEET 2 OF 2

4 3 2 1

REVISIONS				
ZONE	LTR	DESCRIPTION	DATE	APPROVED



- NOTES: UNLESS OTHERWISE SPECIFIED;
1. ALL CAPACITORS ARE IN MICROFARADS, 50V, +80-20%.
 2. ALL DIODES ARE 1N4148.
 3. ALL INDUCTORS ARE IN MICROHENRIES, 10%.
 4. ALL RESISTORS ARE IN OHMS, 1/4W, 5%.
 5. CONNECTOR REFERENCE SYMBOLS: * = J1; ▽ = J2; ▽ = J3; ▽ = J4; ▽ = J5.
 6. -O-O- INDICATES CUT TRACE OPTION.
 7. INDICATES SHUNT BLOCK OPTION



TYPE	POSITION	UNUSED ELEMENTS	+5V (P.N./P.L.)	GND
7407	4C		2	7
74514	4D		2	7
7433	5B		2	7
7438	1D		12	7
74136	6B		2	7
74LS139	3D		10	0
74LS19	5C		6	0
74LS22	6C		6	0
75326	5D		12	1, 8
JM2971H	7C		1	2
16270-C	5B		10	2
6278-C	1B		1	5
2PK 55-1	3D		1	1
OPTION	2D		1	1
7474	4B	4B-1	14	7

REFERENCE DESIGNATIONS	
LAST USED	NOT USED
C10	C9, C10, C12
CR25	
L3	
G4	
R71	
TP13	TP3, TP4

TW100-2A

UNLESS OTHERWISE SPECIFIED DIMENSIONS ARE IN INCHES TOLERANCES ARE:		CONTRACT NO.		Intertec Data Systems	
FRACTIONS DECIMALS ANGLES ± .XX ± ± .XXX ±		APPROVALS	DATE		
MATERIAL		DRAWN	CHECKED	Super Brain QD SA-450 Disk Drive	
FINISH					
NEXT ASSY	USED ON			SIZE	CODE IDENT NO.
APPLICATION		DO NOT SCALE DRAWING		B	DRAWING NO.
				SCALE	Issued: March, 1980
				SHEET 1 OF 2	

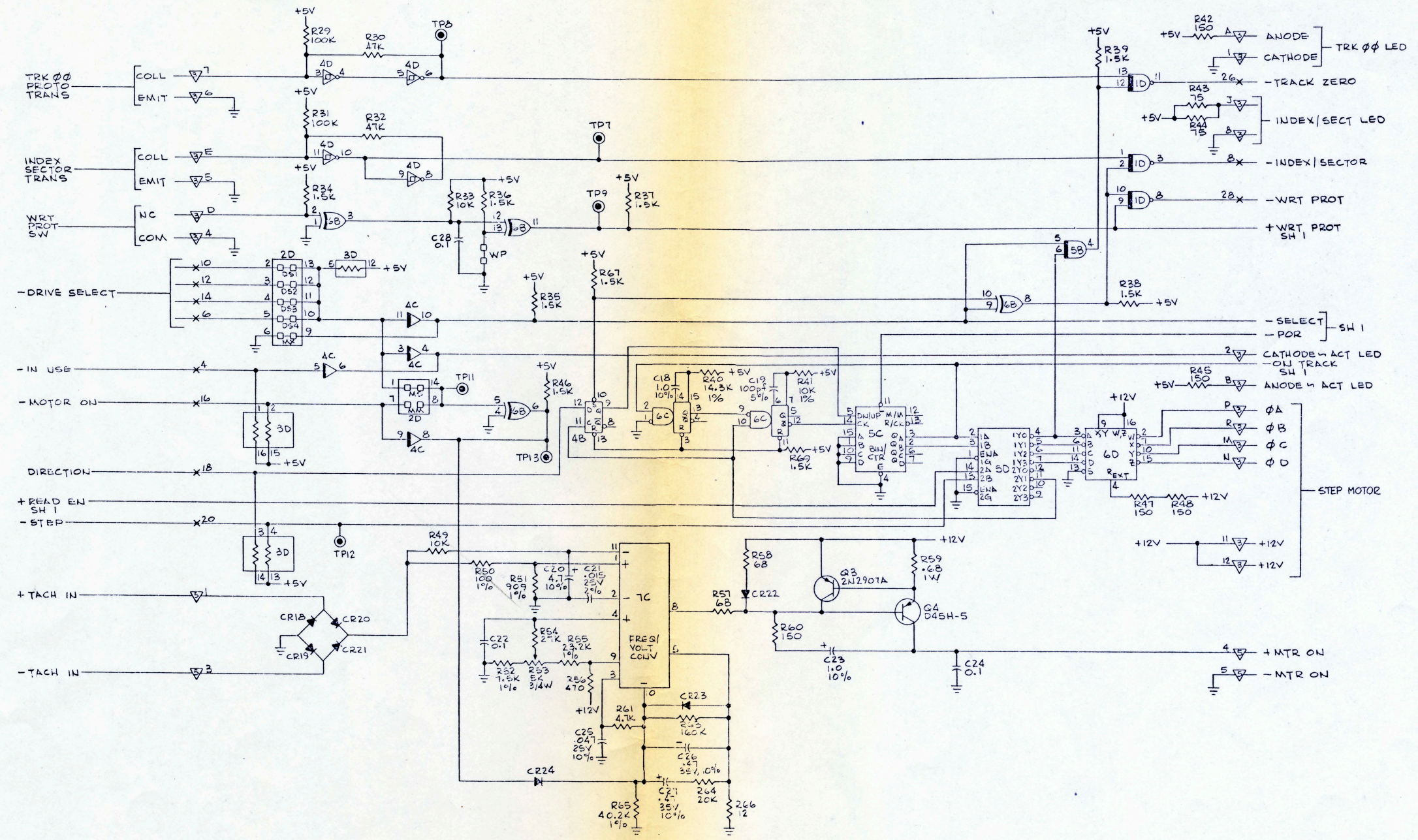
4

3

2

1

REVISIONS				
ZONE	LTR	DESCRIPTION	DATE	APPROVED



UNLESS OTHERWISE SPECIFIED DIMENSIONS ARE IN INCHES TOLERANCES ARE: FRACTIONS DECIMALS ANGLES ± .XX ± ± ± .XXX ±		CONTRACT NO.		Intertec Data Systems	
MATERIAL		APPROVALS	DATE		
FINISH		DRAWN	CHECKED	Super Brain QD SA-450 Disk Drive	
NEXT ASSY					
USED ON				SIZE	CODE IDENT NO.
APPLICATION		DO NOT SCALE DRAWING		DRAWING NO.	
				SCALE	Issued: March, 1980
				SHEET	2 OF 2

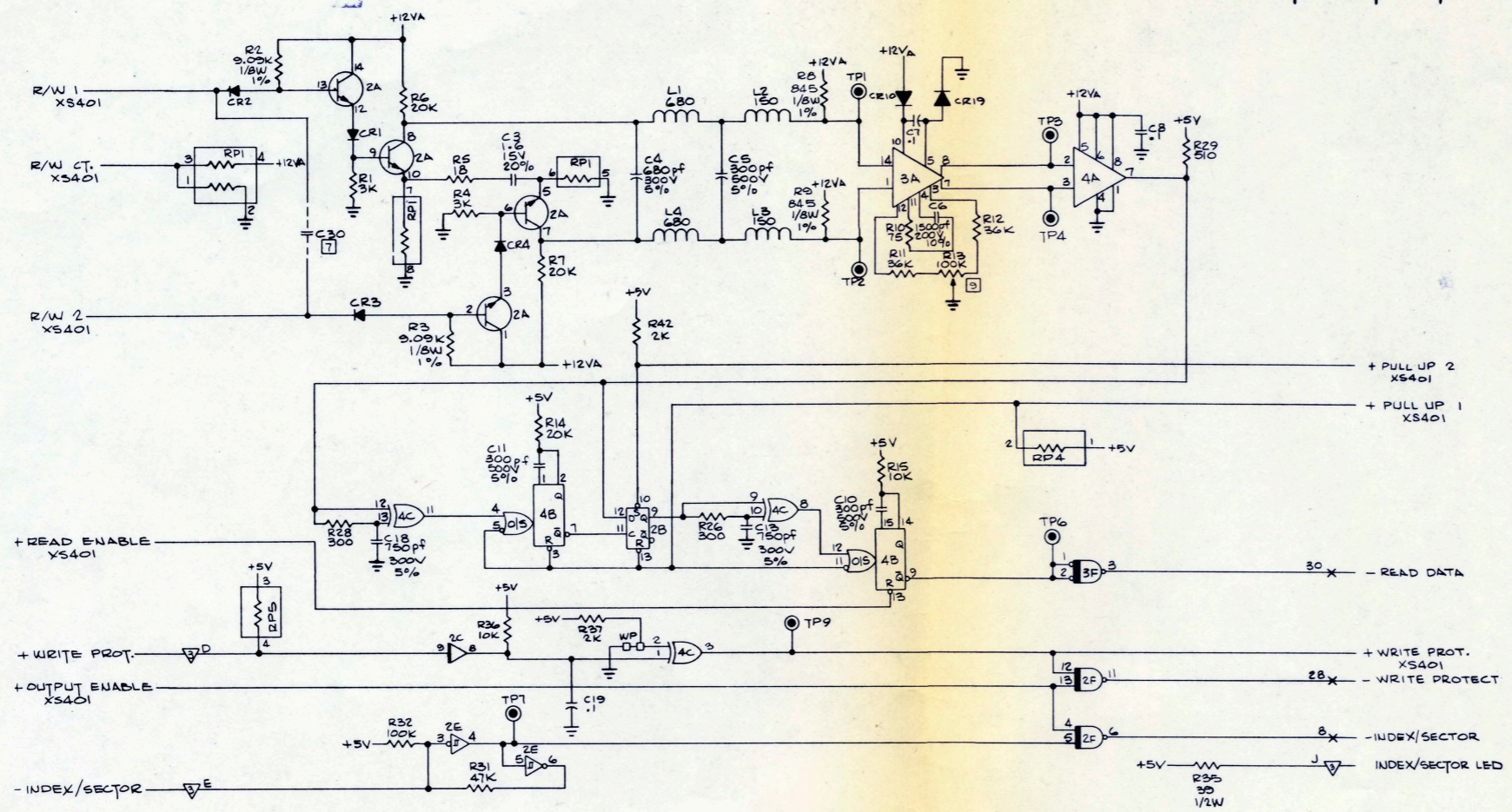
4

3

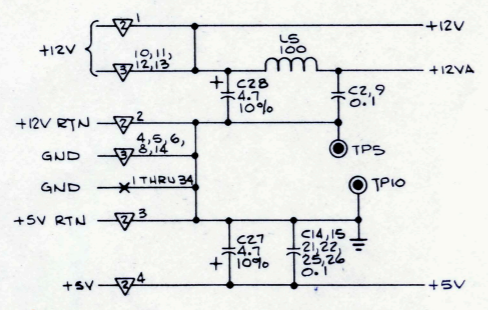
2

1

REVISIONS				
ZONE	LTR	DESCRIPTION	DATE	APPROVED



- NOTES: UNLESS OTHERWISE SPECIFIED,
1. ALL CAPACITORS ARE IN MICRO-FARADS, 50V, +80, -20%.
 2. ALL DIODES ARE 1N4148.
 3. ALL INDUCTORS ARE IN MICRO-HENRIES, 10%.
 4. ALL RESISTORS ARE IN OHMS, 1/4W, 5%.
 5. 0-0 INDICATES SHUNT SELECTABLE OPTION.
 6. * INDICATES J1, ∇ INDICATES J2, ∇ INDICATES J3, ∇ INDICATES J4.
 7. COMPONENT NOT INSTALLED.
 8. PIN 4 OF ID IS GROUND.
 9. R13 VALUE MAY BE 50K.



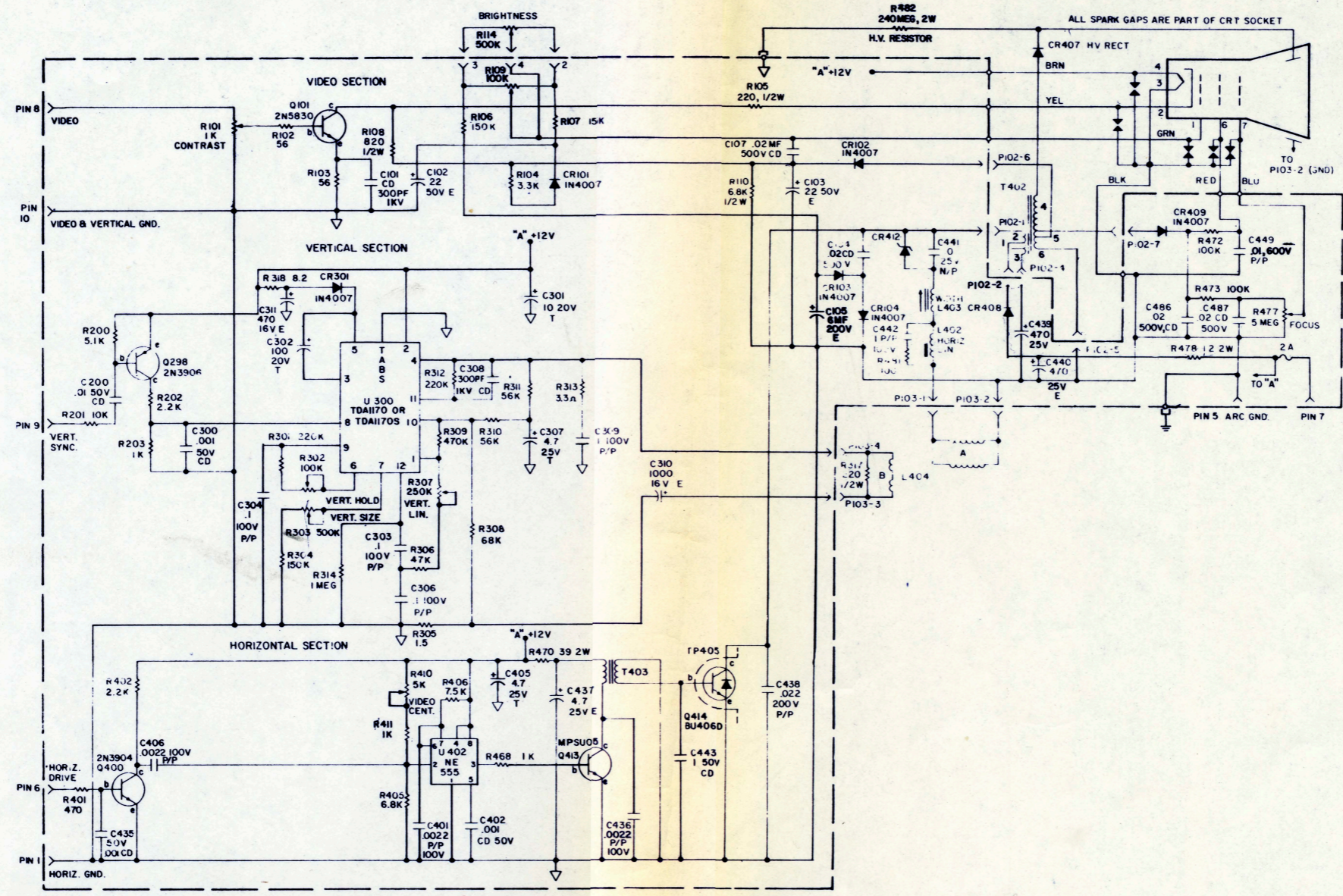
VALUE	POSITION	UNUSED
330Ω	RP2, 3	
680Ω	RP1	
150Ω	RP5	
1K	RP4	

TYPE	POS.	UNUSED	VCC (PIN)	GND (PIN)	TYPE	POS.	UNUSED	VCC (PIN)	GND (PIN)	YOB (PIN)
7400	3E		14	7	75453B	3F		8	4	-
7402	3B		14	7	LM311N	4A		-	1	8
74LS14	2E		14	7	NE592A	3A		-	5	10
7407	2C,4D		14	7	7486	4C	4C2	14	7	-
7433	2D		14	7	9602	4B		16	8	-
7438	2F		14	7	2QT2222	2A		-	-	-
7474	2B,1D	1D1,8	14	7	2QT2905	1C		-	-	-
74195	3D		16	8	150Ω	1E	2	-	-	-
74LS221	3C		16	8	MP63725	4F		-	-	-

REF DESIGNATION	REF DESIGNATION
LAST USED	NOT USED
C31	C20,23,24
CR19	
LS	
R42	
RP5	
TP3	

UNLESS OTHERWISE SPECIFIED DIMENSIONS ARE IN INCHES TOLERANCES ARE: FRACTIONS DECIMALS ANGLES ± .XX ± ± .XXX ±		CONTRACT NO.		Intertec Data Systems	
MATERIAL		APPROVALS	DATE		
FINISH		DRAWN		Super Brain SA-400 Disk Drive	
NEXT ASSY		CHECKED			
USED ON				SIZE	CODE IDENT NO.
APPLICATION		DO NOT SCALE DRAWING		B	
				DRAWING NO.	
				SCALE	Issued: March, 1980
				SHEET	1 OF 2

REVISIONS				
ZONE	LTR	DESCRIPTION	DATE	APPROVED



NOTES:
 1). ALL RESISTORS 1/4 W 5% UNLESS OTHERWISE SPECIFIED
 2). ALL CAPACITORS ARE IN MFD UNLESS OTHERWISE SPECIFIED

CAP TYPES
 E - ELECTROLYTIC
 T - TANTALUM
 CD - CERAMIC DISC
 P/P - PLASTIC PACKAGE
 NP - NONPOLARIZED

CONFIDENTIAL AND PROPRIETARY INFORMATION

This document is the property of Intertec Data Systems Corporation, Columbia, South Carolina, and contains confidential and trade secret information. This information may not be transferred from the custody or control of Intertec except as authorized by Intertec and then only by way of loan for limited purposes. It must not be reproduced in whole or in part and must be returned to Intertec upon request and in all events upon completion of the purpose of the loan.

Neither this document nor the information it contains may be used or disclosed to persons not having a need for such use or disclosure consistent with the purpose of the loan without the prior express written consent of Intertec.

Copyright 1980 by Intertec Data Systems,
 Columbia, South Carolina 29210.
 All Rights Reserved Worldwide.

UNLESS OTHERWISE SPECIFIED DIMENSIONS ARE IN INCHES TOLERANCES ARE: FRACTIONS DECIMALS ANGLES ± .XX ± ± .XXX ±		CONTRACT NO.		Intertec Data Systems	
MATERIAL		APPROVALS	DATE		
FINISH		DRAWN		SUPERBRAIN VIDEO PCB SCHEMATIC DIAGRAM January, 1981	
NEXT ASSY		CHECKED			
USED ON				SIZE	CODE IDENT NO.
APPLICATION				B	DRAWING NO.
DO NOT SCALE DRAWING				SCALE	SHEET OF